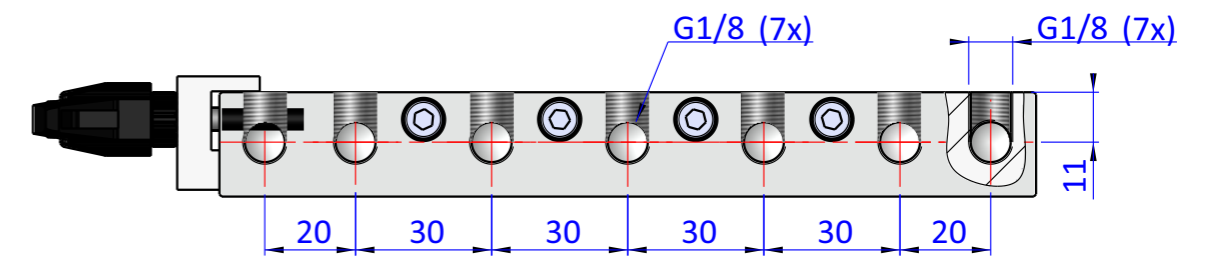
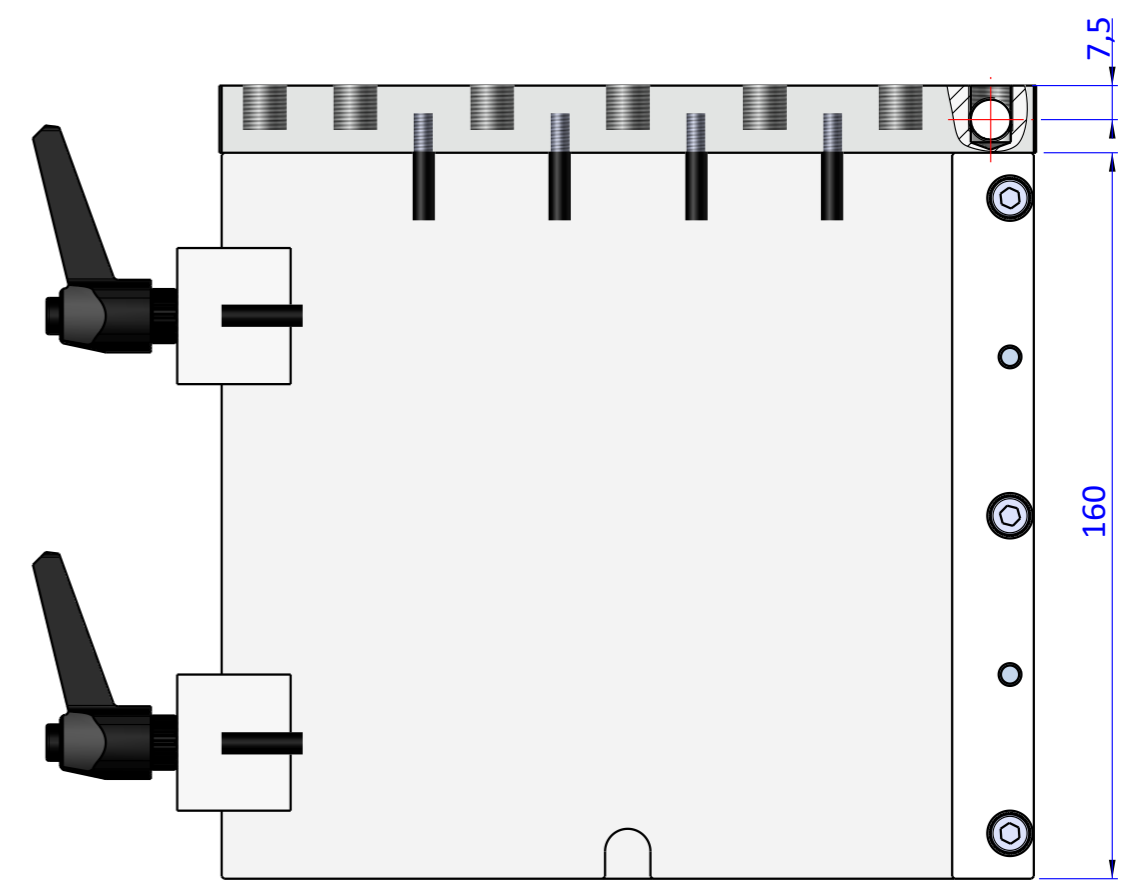
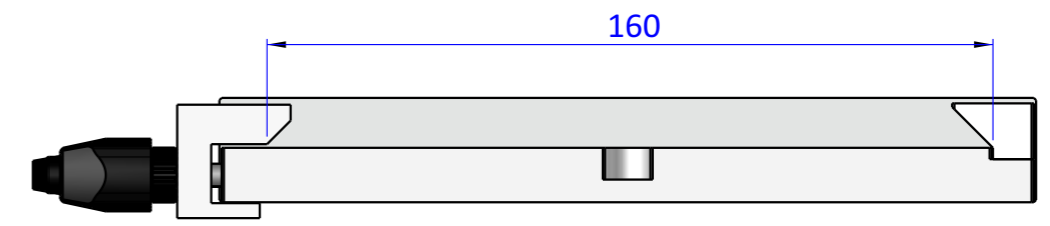
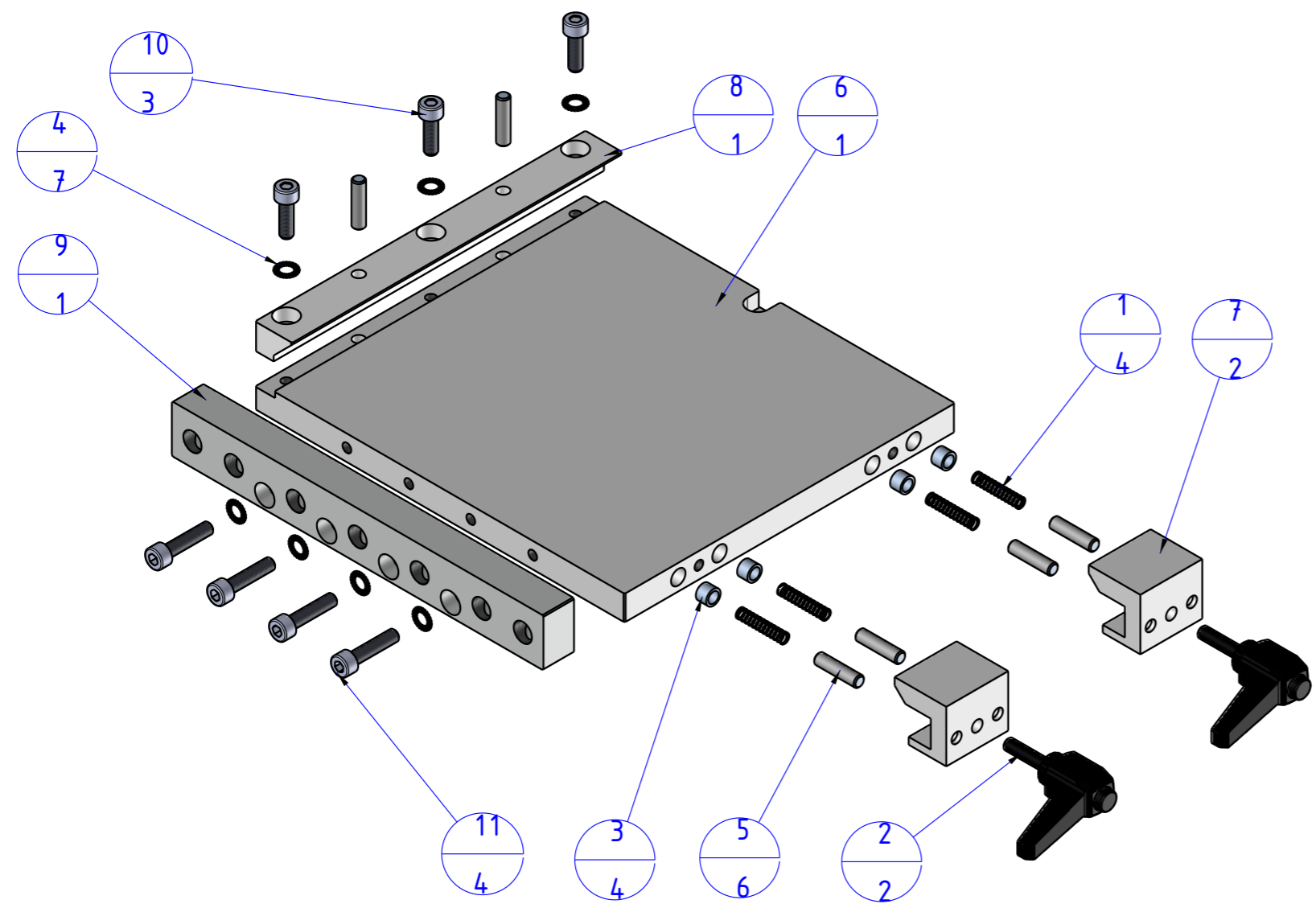



THE PROPERTY OF THE DRAWING IS ESTABLISHED BY LAW. IT IS FORBIDDEN TO PRODUCE OR SHOW IT TO THIRD PART. WITHOUT A WRITTEN AGREEMENT.

Item	Name	Qty.
1	M.DIM.11230	4
2	MAN.M5x20	2
3	PAP.050705	4
4	R.5.SCH	7
5	SP.5X20	6
6	SWM2.0	1
7	SWM2.1	2
8	SWM2.2	1
9	SWM2.8	1
10	V.TCE5x16	3
11	V.TCE5x22	4



Format A3
UNI 936-76

 FPS FPSERVICES AUTOMATION		DESIGNED FROM		REVIEW
		FPS Automation		A
GENERAL TOLERANCE		DATE		WEIGHT
UNI - ISO 2768		08/01/2021		1,235kg
CLASSE f		CODE		
		CA.SWM2		CA.SWM2